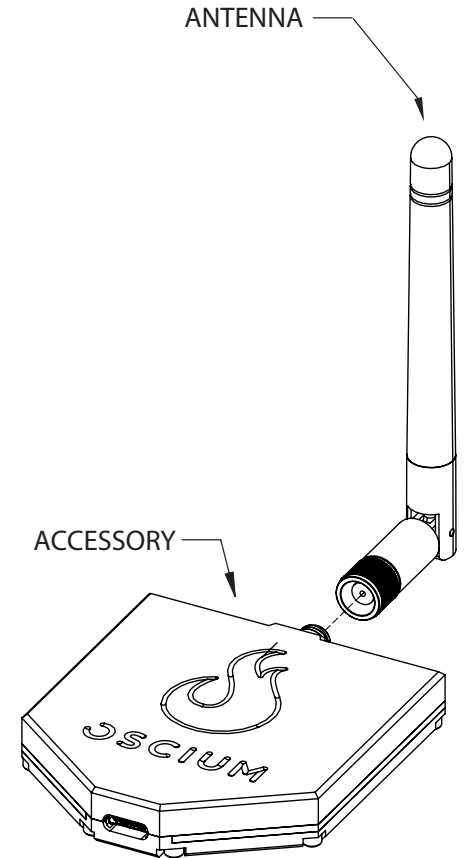


Quickstart Guide

WiPry Clarity



1. Screw tri-band, RP-SMA antenna into the appropriate port.
2. Download "WiPry". PC & Mac versions¹ available at oscium.com/quickstart Or, select from one of our software partners.
3. Insert cable into both the accessory and the host device.
4. When the software is connected² to the WiPry Clarity hardware, the icon in the bottom right will show connected.



¹ No support for iOS, Android.

² Power is supplied from host device.